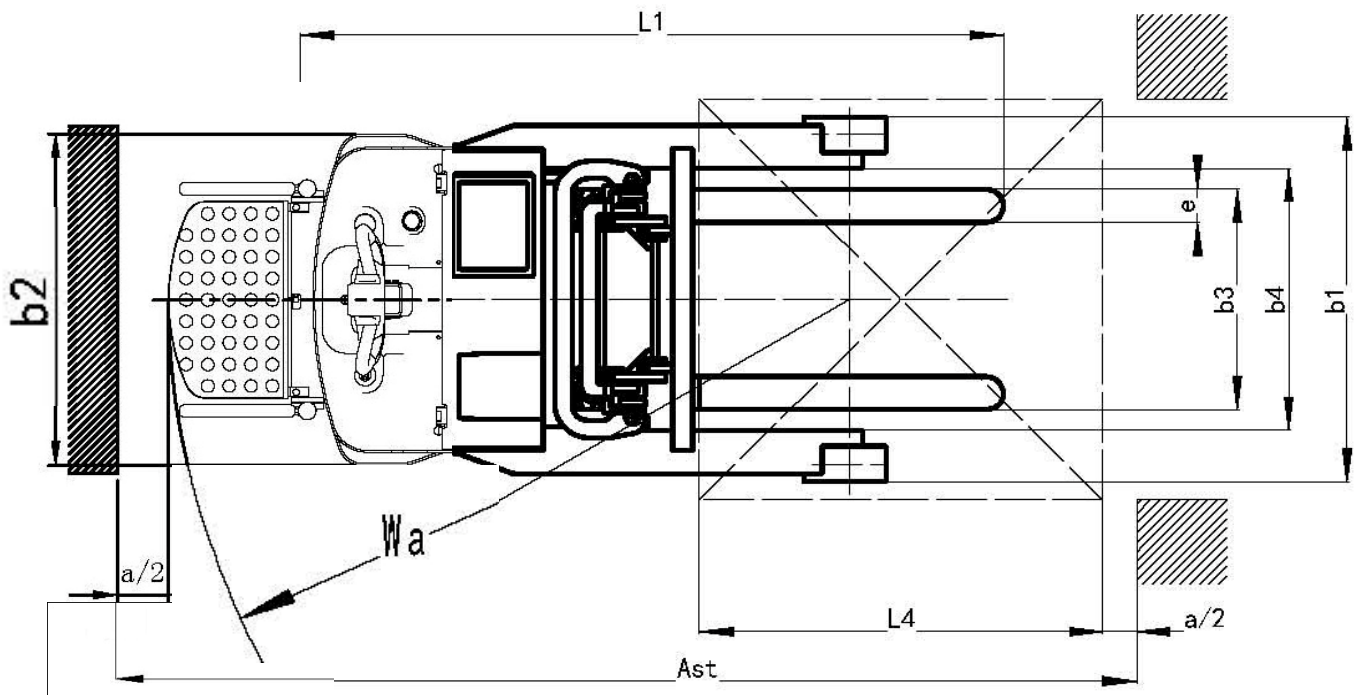
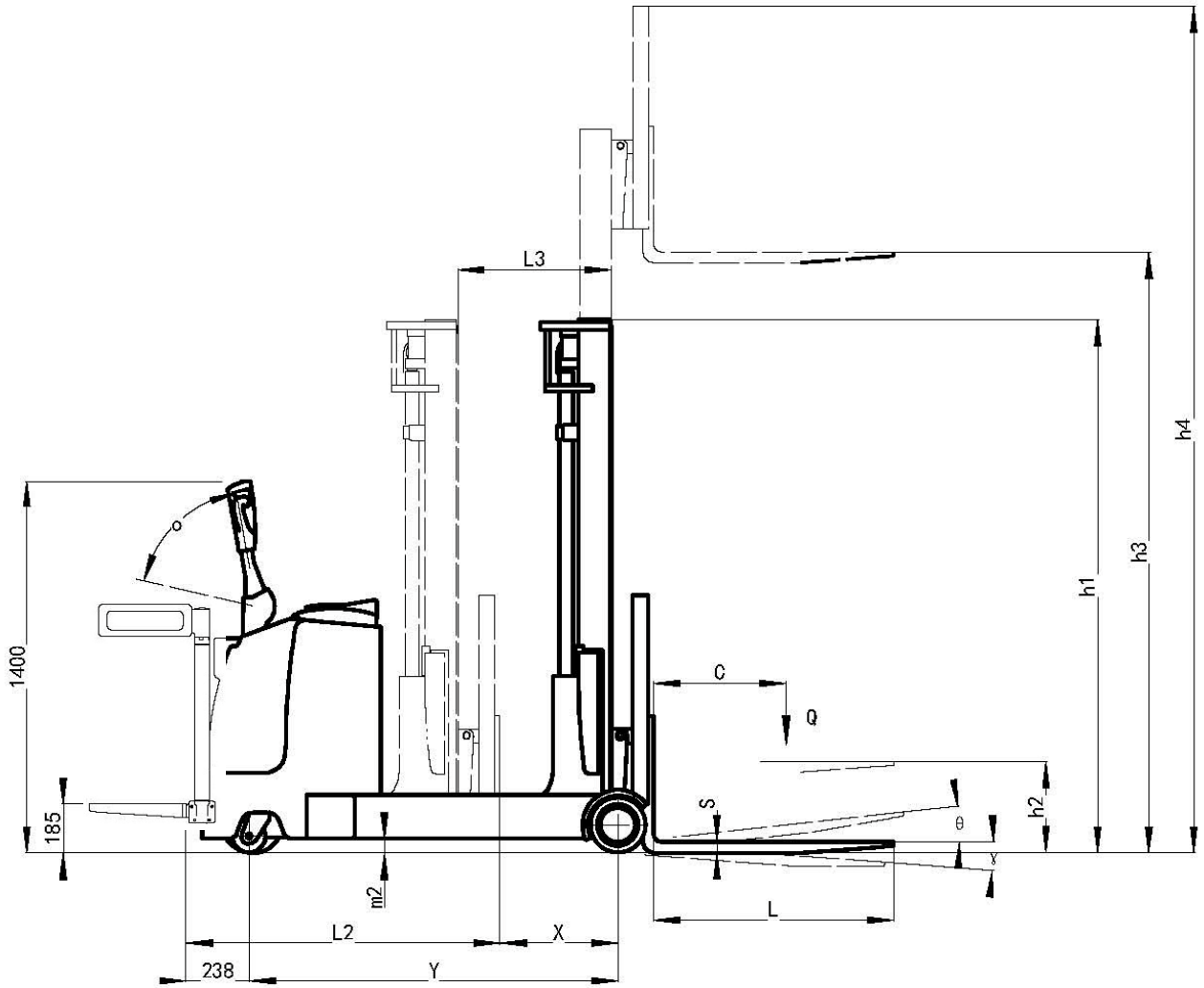


Electric Reach Stacker XR 2000



- # Battery side extraction
- # Widen view mast
- # Fork tilt forward / backward
- # Regenerative braking function
- # CURTIS Electronic Controller from Europe
- # Germany FREI handle
- # Italian HYDRAPP Hydraulic system
- # Germany Mannstaedt steel for mast
- # Vertical driven wheels
- # Imported separately excited electric control
- # Frei tiller, original device Germany
- # Sideways battery exit
- # Widen mast views

Electric Reach Stacker



Electric Reach Stacker

TECHNICAL DATA				MODEL					
Identification	1	Product type designation		XR 2016	XR 2025	XR 2030	XR 2033	XR 2035	XR 2037
	2	Drive unit		Electric					
	3	Operator type		Standing					
	4	Load capacity	Q kg	2000					
	5	Load center	C mm	500					
	6	face	X mm	446					
	7	Wheelbase	Y mm	1390					
Weight	8	Truck Weight(without battery)		kg 1700					
	9	Axle loading,loaded(front/rear)		kg 1338 / 2112					
	10	Axle loading,unloaded(front/rear)		kg 1372 / 578					
Wheel	11	Tyres		Polyurethane					
	12	Driven wheels size	mm	∅ 230 × 75					
	13	Loaded wheels size	mm	∅ 210 × 85					
	14	Balance wheels size	mm	∅ 125 × 60					
	15	Wheels number,(front/rear)(x=driven wheels)		1 x - 2 / 2					
	16	Tread,front	mm	740					
	17	Tread,rear	mm	985					
Dimensions	18	Height,mast lowered		mm 1780					
	19	Overall height	h1 mm	2030	1780	2030	2180	2250	2380
	20	Free lift	h2 mm	1000	90	90	90	90	90
	21	Lift height	h3 mm	1600	2500	3000	3300	3500	3700
	22	Height,mast extended	h4 mm	2540	3440	3940	4240	4440	4640
	23	Forks height,lowered	h5 mm	40					
	24	Height of tiller in drive position(max/min)		h6 mm 1380 / 1020					
	25	Overall length	L1 mm	2090					
	26	Length to face of forks	L2 mm	1185					
	27	Overall width	b1 mm	1090					
	28	Fork dimensions	s/e/l mm	100 / 40 / 905					
	29	Maximum forks width	b3 mm	200 - 720					
	30	Reach length	L3 mm	580					
	31	Maximum ground clearance	m mm	55					
	32	lengthways	Ast mm	2410					
	33	Aisle width for pallets 800×1200 lengthways	Ast mm	2610					
	34	Turning radius	Wa mm	1656					
	35	Inside width between the guides	b4 mm	780					
Performance	36	Travel speed	loaded/unloaded km / h	4.8 / 5.6					
	37	Lift speed	loaded/unloaded mm / s	90 / 120					
	38	Lowering speed	loaded/unloaded mm / s	125 / 80					
	39	Max gradeability	loaded/unloaded %	5 / 8					
	40	Service brake		Electromagnetic brake					
Electric Motor	41	Drive motor rating		kw 1.5					
	42	Lift motor rating		kw 2.2					
	43	Battery voltage/capacity		V / Ah 24 / 240					
	44	Battery weight		kg 250					
Others	45	Control unit type		MOSFET control					
	46	Sound level		dB (A) <70					
SPECIFICATION IS SUBJECT TO CHANGE WITHOUT NOTICE									