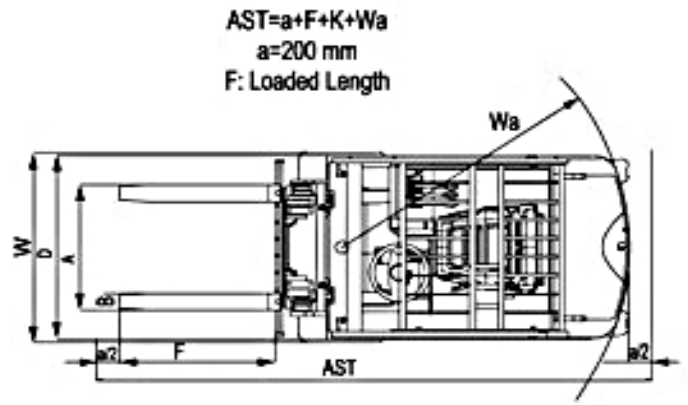
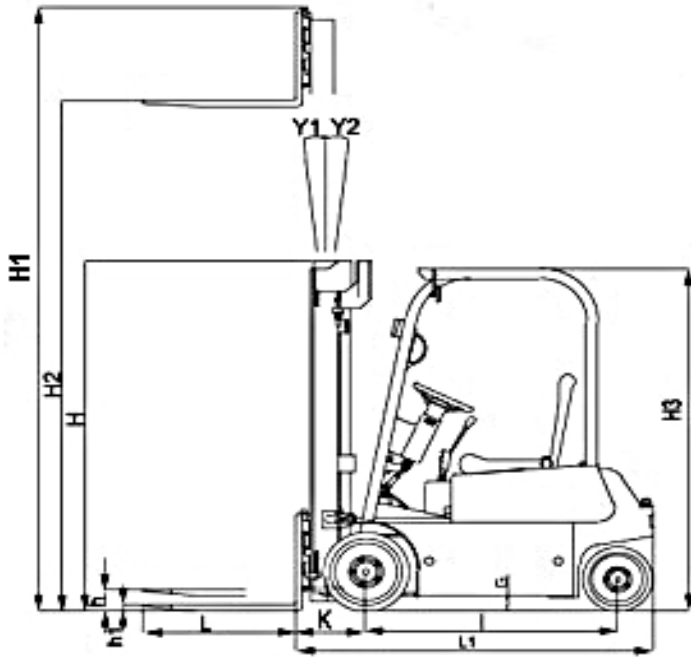


Mini Electric Forklift



รายละเอียดผลิตภัณฑ์อาจมีการเปลี่ยนแปลงโดยมิได้แจ้งให้ทราบล่วงหน้า

Mini Electric Forklift



TECHNICAL DATA		Model		
		CPDM 05	CPDM 75	CPDM 100
Capacity	Q kg	500	750	1000
Load Center	C mm		400	
Lifting Height	H2 mm		3200	
Free Lifting Height	h mm		1600	
Tilting Angle	Y1 / Y2 (°)		2° / 5°	
Fork Length	L mm		800	
Fork Width	B mm		100	
Fork Width	A mm		220 - 680 (adjustable)	
Side Shift	a/2 mm		left / right 100	
Min.Turning Radius	Wa mm	1100	1260	1350
Lifting Speed	m / min		84 / 127	
Lowering Speed	m / min		adjustable	
Mast Height	h mm		1900	
Max lifting Height	H1 mm		3600	
Safe Guard Height	H3 mm		1900	
Wheel Base	mm		860-940	
Distance Front Between Wheels	mm		660	
Min. Clearance to the Ground	G mm	85		90
Traveling Speed(with/without load)	m / min	6.5 / 7.8	6.5 / 7.3	6.5 / 7.0
Gradeability	(°)		8	
Battery	Ah / V	210 / 24	280 / 24	385 / 24
AST	mm		2365	
Driving motor	KW		2	
Pump motor	KW		2.8	
Wheel			Solid Rubber	
Front Wheels			Φ 267 X 127	
Rear Wheels			Φ 267 X 127	
Overall length	L1 mm		1260	
Overall width	W mm	820	820	900
Overall height	H mm		2100	
Net Weight	kg	1250	1380	1550

1000mm Fork is available.

SPECIFICATION IS SUBJECT TO CHANGE WITHOUT NOTICE