

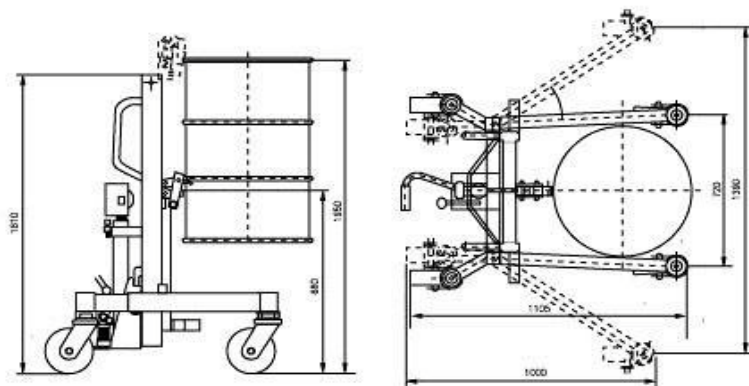
Ergonomic Drum Handler

Heavy-Duty

- ▲ Ergonomic lifts, transport, and places poly, steel, or fiber drums on or off pallets.
- ▲ A spring-load clamp securely holds any rimmed drum.
- ▲ It has swivel steering wheels for easy positioning and precision roller bearing load wheels for maximum stability.
- ▲ Legs adjust for different pallet, Handles 55-, 85-gallon drums.



Adjustable leg



รายละเอียดผลิตภัณฑ์อาจมีการเปลี่ยนแปลงโดยมิได้แจ้งให้ทราบล่วงหน้า

TECHNICAL DATA		MODEL
		DT 400
Capacity	kg	400
Lifting Height	mm	1070
Drum Size	mm	572
Lifting Per Stroke	mm	11.6
Net Weight	kg	100
SPECIFICATION IS SUBJECT TO CHANGE WITHOUT NOTICE		