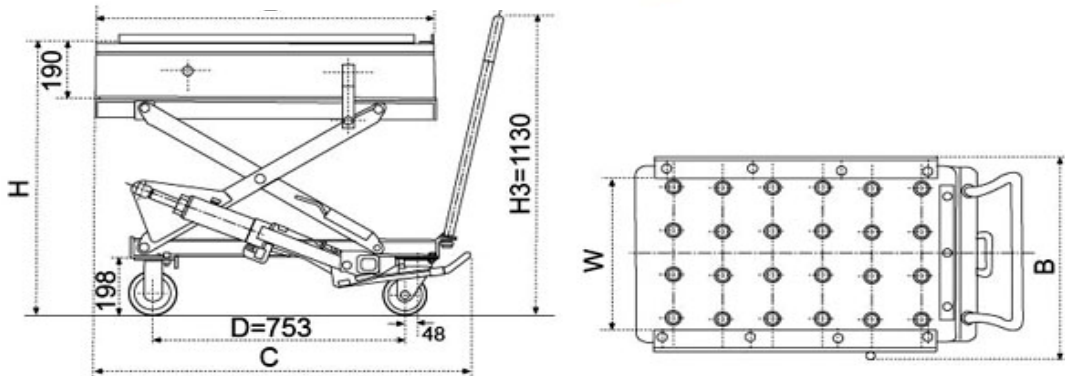


Transfer Lift Table

More easier for loading and unloading operations by means of ball transfer unit. As the steel balls are raised, the goods on table are very easy to move into or move away. As the steel balls are lower, the goods stay on table firmly.



รายละเอียดผลิตภัณฑ์อาจมีการเปลี่ยนแปลงโดยมิได้แจ้งให้ทราบล่วงหน้า

TECHNICAL DATA		MODEL			
		BT 20	BT 45	BT 70	BT 100
Type		Manual			
Capacity	kg	200	450	700	1000
Table Size LxW	L x W mm	820x500	550x1006		
Table height (Min.)	mm	520	632	632	635
Table height (Max.)	H mm	1000	1185	1190	1150
Handle Height	H3 mm	1130			
Wheel Diameter	mm	∅ 125	∅ 150		
Overall Size	B x C mm	560x1010	580x1185	580x1260	580x1260
Net Weight	kg	105	153	155	172

SPECIFICATION IS SUBJECT TO CHANGE WITHOUT NOTICE