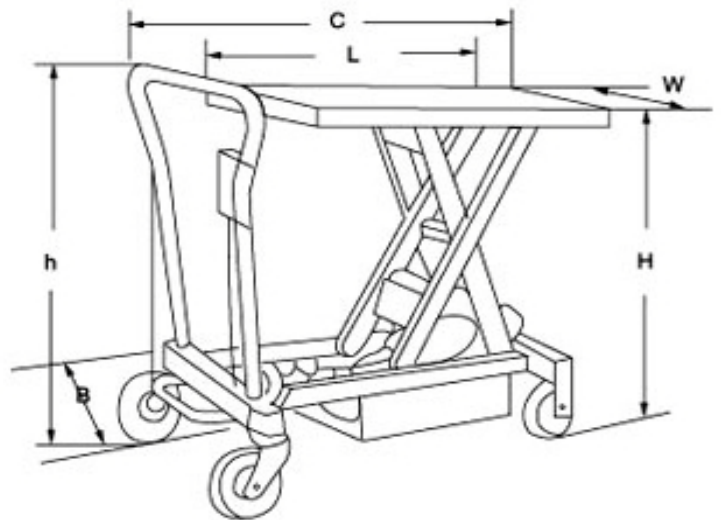


### Electric Mobile Lift Table

Lifts heavy loads with ease

- ▲ Robust structure yet lightweight
- ▲ Two brakes increase safety
- ▲ Power unit made in Europe DC 700W
- ▲ High quality battery 75Ah/12V
- ▲ Automatic battery charger
- ▲ Wheel and roller diameter 150mm
- ▲ Handle height 1185mm



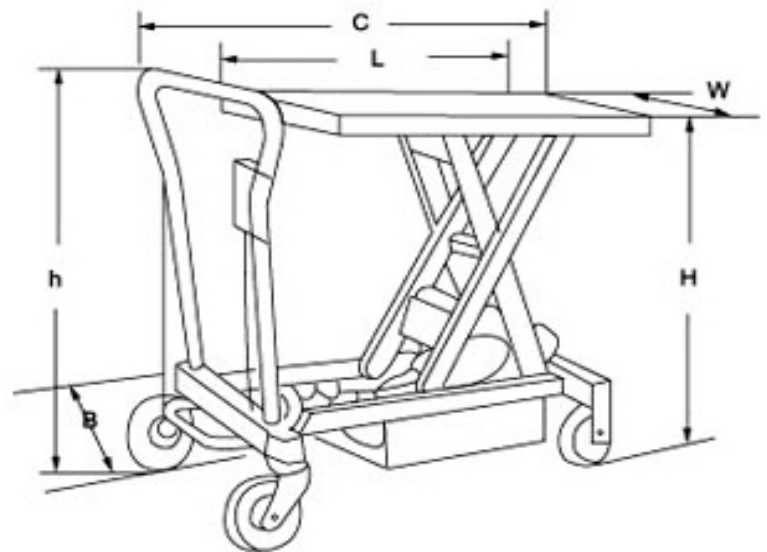
รายละเอียดผลิตภัณฑ์อาจมีการเปลี่ยนแปลงโดยมิได้แจ้งให้ทราบล่วงหน้า

TECHNICAL DATA		MODEL		
		PML 30 DE	PML 50 DE	PML 80 DE
Capacity	kg	300	500	800
Table Size	W x L mm	520x1010		
Max. Lifting Height	H mm	1600	1618	1460
Min. Lifting Height	mm	495	495	510
Lifting Height	mm	1105	1123	950
Handle Height	h mm	1185		
Wheel Diameter	mm	Ø 150		
Overall Length	C mm	1260		
Overall Width	B mm	520		
Power Unit Made In Europe	W	DC 700		
Battery	v / Ah	12 / 75		
Battery Charger		Automatic		
Net Weight	kg	183	198	208

**SPECIFICATION IS SUBJECT TO CHANGE WITHOUT NOTICE**

### Electric Mobile Lift Table

- Lifts heavy loads with ease
- ▲ Robust structure yet lightweight
- ▲ Two brakes increase safety
- ▲ Power unit made in Europe DC 700W
- ▲ High quality battery 75Ah/12V
- ▲ Automatic battery charger
- ▲ Wheel and roller diameter 150mm
- ▲ Handle height 1185mm



รายละเอียดผลิตภัณฑ์อาจมีการเปลี่ยนแปลงโดยมิได้แจ้งให้ทราบล่วงหน้า

TECHNICAL DATA		MODEL			
		PML 30 E	PML 50 E	PML 75 E	PML 100 E
Capacity	kg	300	500	750	1000
Table Size	W x L mm	520x1010			
Max. Lifting Height	H mm	950			
Min. Lifting Height	mm	450		480	
Lifting Height	mm	500		470	
Handle Height	h mm	1185			
Wheel Diameter	mm	Ø 150			
Overall Length	C mm	1260			
Overall Width	B mm	520			
Power Unit Made In Europe	W	DC 700			
Battery	v / Ah	12 / 75			
Battery Charger		Automatic			
Net Weight	kg	140	148	154	169

**SPECIFICATION IS SUBJECT TO CHANGE WITHOUT NOTICE**